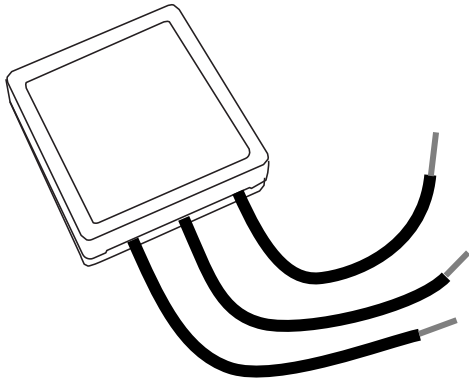
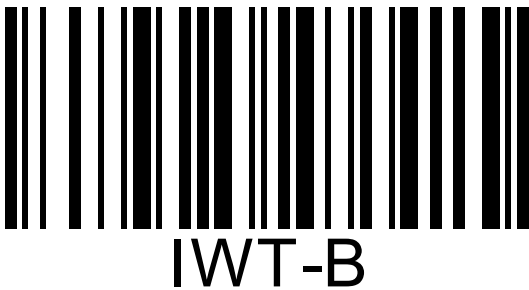


VOLTEX®

IWT-B



Voltex Electronic Timer IWT-B



IWT-B

VOLTEX®

Voltex Electronic Timer
IWT-B

INSTALLATION GUIDE

Electronic Timer IWT-B

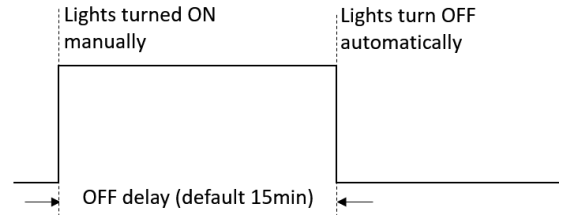
The Voltex IWT-B Electronic Timer senses a switch input and runs a delay-OFF timer to control a load, typically a fan.

Warnings

- This product should only be installed by a licenced electrician in accordance with all the requirements of AS/NZS 3000 [current edition] and other relevant Standards and Regulations.
- Isolate the electrical supply before installing or servicing. It should be assumed that even when OFF, mains voltage may still be present at the load fitting.

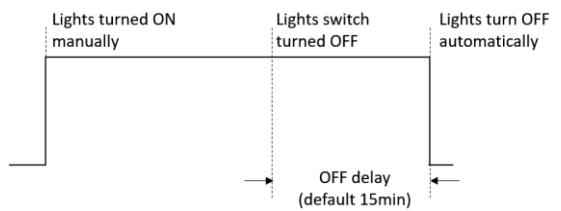
Operation with a Momentary (push button/bell press) switch

- If the Fan is OFF and the user wishes to turn it ON and start the timing, they push the switch.
- If the Fan is already ON, a push of the switch will turn the Fan OFF, cancelling the timer.



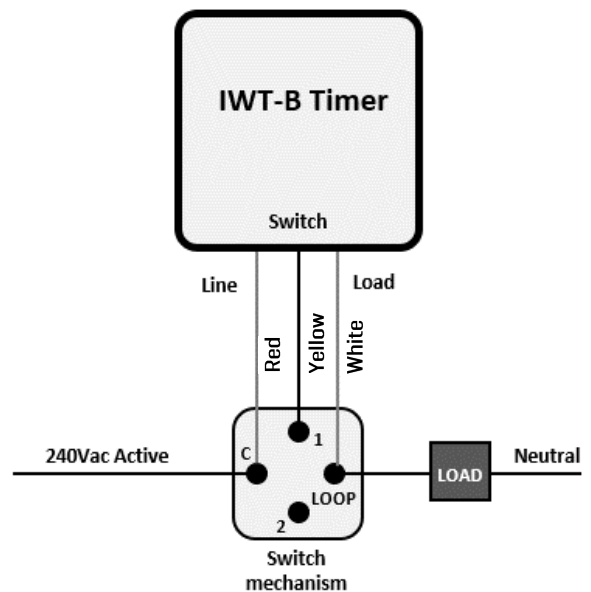
Operation with a toggle ON/OFF switch

- Turning ON the switch will turn ON the Fan.
- When the switch is turned OFF, the fan will remain ON and the timer starts counting down.
- The fan turns OFF when the timer reaches its set time [Default 15 minutes].

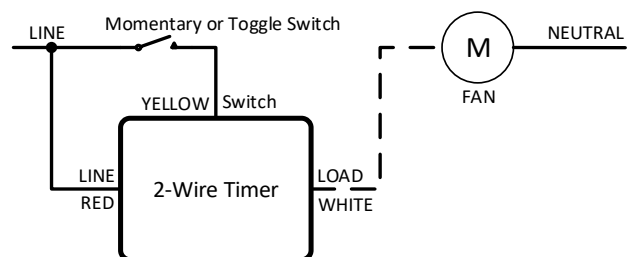


Installation with modular switch

This product must be used in conjunction with a standard switch plate and modular switch.



Wiring Diagram



Important Note

Do not connect an additional load to the control switch [Yellow wire]. Doing this will cause the load to be permanently ON.

Setting up the timer

Programming is carried out by pressing the momentary switch or toggling the toggle switch ON/OFF. The number of times the switch closes determines the timer value.

The time-out period can be configured to be a Short, Medium, or Long time-out. These are currently set to 5, 15 or 30 minutes. The default time-out is the Medium interval: 15 minutes.

Setup procedure

1. Ensure the fan (or any other connected load) is OFF.
2. Press the switch (or toggle it ON and OFF) the number of times in the table below.

Number of toggles	Action
3	Set short time [5 minutes]
4	Set medium time [15 minutes] (Default)
5	Set long time [30 minutes]
20	Factory reset

Note: The fan will turn ON and OFF with each push/toggle. After 2 seconds of inactivity, the fan will turn OFF. This puts the unit into a well-defined state after changing its parameters.

Extending the timer

In some circumstances a user may wish to extend the operation of the fan. For example, a user enters the room, the fan is ON and they want the fan to remain ON.

Extending the timer when using a Momentary Switch

There are 2 options:

- Press the switch once to turn the Fan OFF. Press it a second time to turn the Fan ON again, and timer re-starts].
- Press-and-hold the switch for 2 or more seconds. This resets the timer back to the full time-out value.

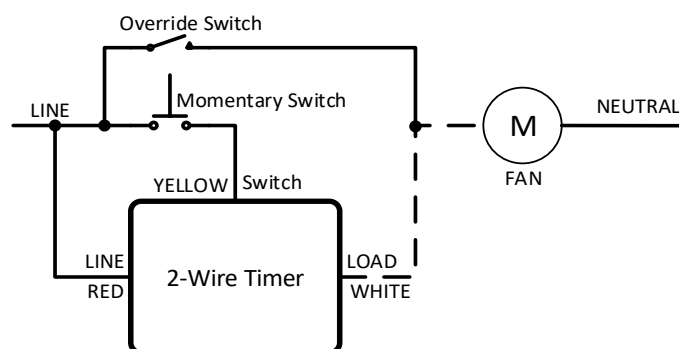
Extending the timer when using a Toggle Switch

- Turning ON the switch will keep the fan ON and cancel the timer.
- When the switch turns OFF the fan will remain ON and the turn-off timer will start counting down.

Override On (or timer bypass)

In some circumstances a user may wish for the fan to operate indefinitely. There are 2 ways to turn the Fan ON without running the time-out period:

1. With the Toggle switch, leave the switch in the ON position.
2. Use an Override switch. This will bypass the timer unit entirely. See the diagram below.



Connections

Red: Line / Active
 Yellow: To Timer
 White: To Fan or other Load

Power-up state

The timer always powers up in the OFF state.

Important Setup Information

The setup function is only available for 60 minutes after powering up the circuit. If setup does not work, switch the circuit off and on again at the breaker.

Technical specifications

Supply	220 – 240V, 50Hz
Max Load	1A [all load types]
Min Load	2.5W
Compatible Load Types	Resistive loads Inductive load [contactor] Tungsten filament lamp load Externally ballasted lamp load [LED, CFL or Fluorescent] Self-ballasted lamp load [LEDi or CFLi] Small motor load – M.1 [exhaust fan typical]
Timer Settings	5 minutes 15 minutes [default] 30 minutes
Switch Input type	Toggle ON/OFF switch or Momentary push-button switch
Load Switching type	Semiconductor switching device
Load Override	Yes
Dimensions:	39 x 41 x 12 mm
Weight	20g
Ingress protection	IP30
Wire length	110 mm
Ambient Operating Temperature	0 to 50°C
Ambient Storage Temperature	-10 to 70°C
Humidity	0% to 95% RH non-condensing
Fault Protection	Open circuit Short circuit Overload Over Temperature
Material:	Flame retardant polycarbonate